

GROOVED TYPE BUTTERFLY VALVE

REF: GBV



DESCRIPTION

Profit GBV Butterfly Valves feature a ductile iron ASTM A536 body, with an EPDM rubber seat and stainless steel upper and lower stem.

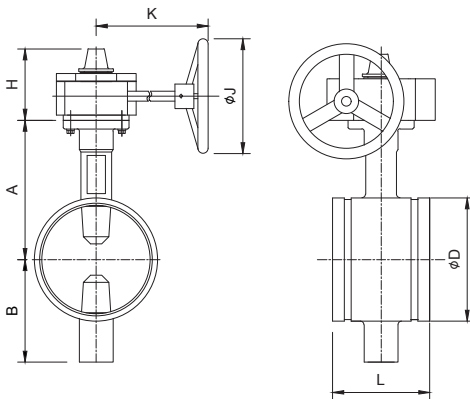
Rated working pressure:
300PSI (20,7bar)

UL Listed
FM Approved

MATERIAL SPECIFICATIONS

Component	Specification	American standard	European standard
Body	Ductile iron	ASTM A-536, grade 65-45-12	EN GJS 500-7
Housing	Ductile iron	ASTM A-536, grade 65-45-12	EN GJS 500-7
Disc	Ductile iron	ASTM A-536, grade 65-45-12	EN GJS 500-7
Rubber seat	EPDM	ASTM D2000	
Upper and lower stem	416 Stainless Steel	ASTM A-582	X20Cr13
Handwheel shaft	304 Stainless Steel	ASTM A-276	X5CrNi18-10
Seal	EPDM	ASTM D2000	
Coating	Epoxy		

DIMENSIONS



Size (inch)	DN	Nominal Dimensions (mm)							Weight (Kg)
		A	B	ØD	H	K	ØJ	L	
2 ½	65	125	95	73,0	111	153	152	96,4	8,20
2 ½	65	125	95	76,1	111	153	152	96,4	8,20
3	80	140	100	88,9	111	153	152	97,0	8,90
4	100	160	100	114,3	111	153	152	115,1	10,10
5	125	170	125	139,7	111	153	152	132,4	13,60
6	150	190	140	165,1	111	153	200	132,4	17,00
6	150	190	140	168,3	111	153	200	132,4	17,00
8	200	230	175	219,1	126	210	300	147,4	31,00

ELECTRICAL DRAWING

