

WAFER TYPE BUTTERFLY VALVE
REF: WBV



DESCRIPTION

Profit WBV Butterfly Valves feature a ductile iron ASTM A536 body, with an EPDM rubber seat and stainless steel upper and lower stem.

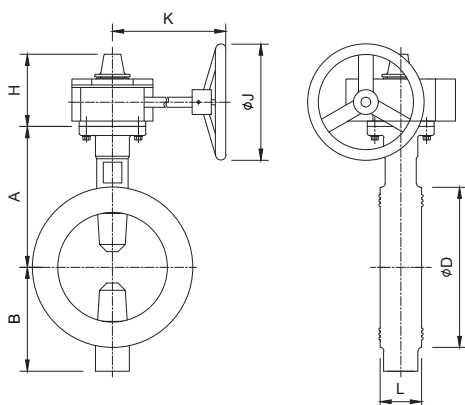
Rated working pressure:
300PSI (20,7bar)

UL Listed
FM Approved

MATERIAL SPECIFICATIONS

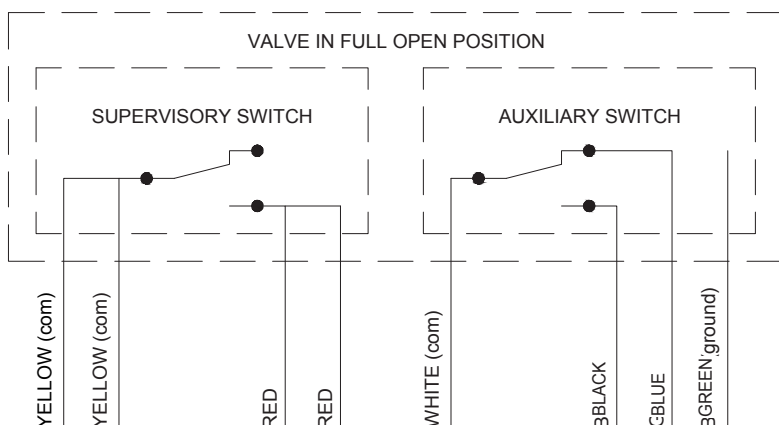
Component	Specification	American standard	European standard
Body	Ductile iron	ASTM A-536, grade 65-45-12	EN GJS 500-7
Housing	Ductile iron	ASTM A-536, grade 65-45-12	EN GJS 500-7
Disc	Ductile iron	ASTM A-536, grade 65-45-12	EN GJS 500-7
Rubber seat	EPDM	ASTM D2000	
Upper and lower stem	416 Stainless Steel	ASTM A-582	X20Cr13
Handwheel shaft	304 Stainless Steel	ASTM A-276	X5CrNi18-10
Seal	EPDM	ASTM D2000	
Coating	Epoxy		

DIMENSIONS



Size (inch)	DN	Nominal Dimensions (mm)							Weight (Kg)
		A	B	ØD	H	K	ØJ	L	
2 ½	65	125	95	112	111	153	152	44,2	8,50
3	80	140	100	120	111	153	152	45,3	8,60
4	100	160	100	161	111	153	152	52,0	10,60
5	125	170	125	182	111	153	152	54,4	11,80
6	150	190	140	216	111	153	200	55,8	14,40
8	200	230	175	260	126	210	300	60,5	25,70

ELECTRICAL DRAWING



Compatible flanges

PN 10
PN 16
ANSI 150
ANSI 300