

Akustik

CEILING MOUNTS SPRINGTEC CEILING HANGER



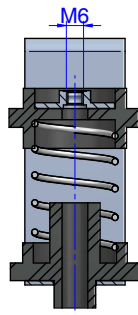
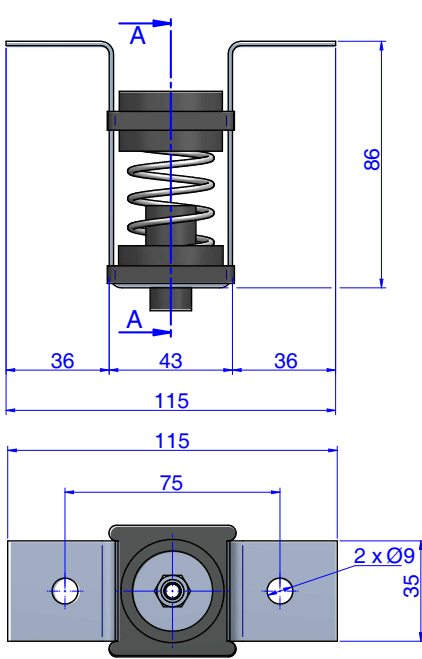
Range designed for suspensions of suspended acoustic ceilings and machinery working at more than 450 r.p.m. Manufactured with piano tail quality spring of great mechanical resistance guided by two rubber plates with integral end stops to prevent contact between spirals when overloading.



Akustik

CEILING MOUNTS SPRINGTEC CEILING HANGER

DRAWINGS



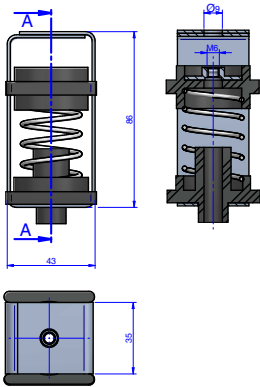
DIMENSIONS

	Type	MAX PERMANENT LOAD	Code
	Springtec ST-10 Type 1	10	23301
	Springtec ST-20 Type 1	20	23302
	Springtec ST-30 Type 1	30	23303
	Springtec ST-60 Type 1	60	23304





Akustik

CEILING MOUNTS SPRINGTEC CEILING HANGER

DRAWINGS



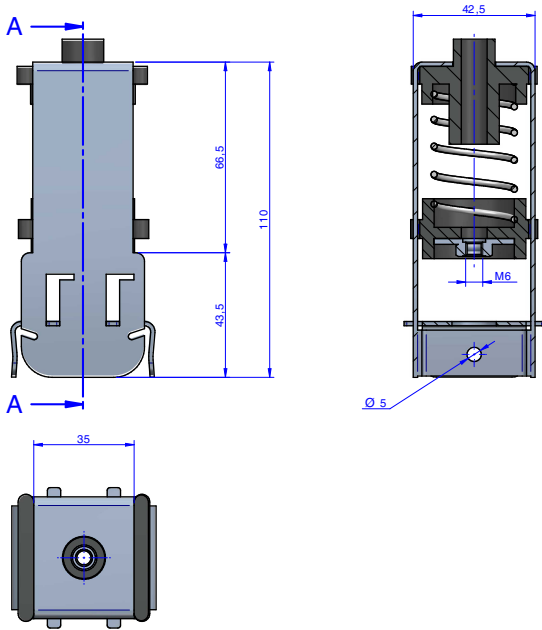
DIMENSIONS

	Type	MAX PERMANENT LOAD	Code
	Springtec ST-10 Type 2	10	23305
	Springtec ST-20 Type 2	20	23307
	Springtec ST-30 Type 2	30	23309
	Springtec ST-60 Type 2	60	23311





Akustik

CEILING MOUNTS SPRINGTEC CEILING HANGER

DRAWINGS



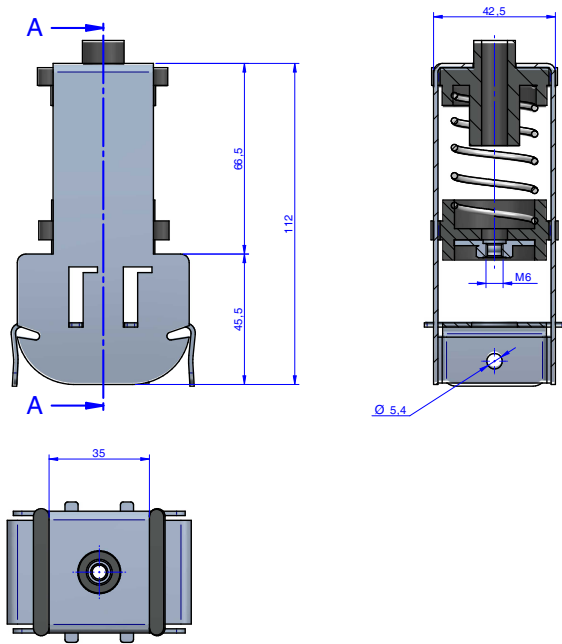
DIMENSIONS

	Type	MAX PERMANENT LOAD	Code
	Springtec Super T-47 Type ST-10	10	23421
	Springtec Super T-47 Type ST-20	20	23422
	Springtec Super T-47 Type ST-30	30	23423
	Springtec Super T-47 Type ST-60	60	23424

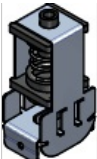
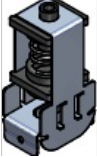
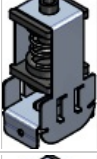
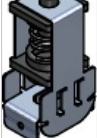
Akustik

CEILING MOUNTS SPRINGTEC CEILING HANGER

DRAWINGS



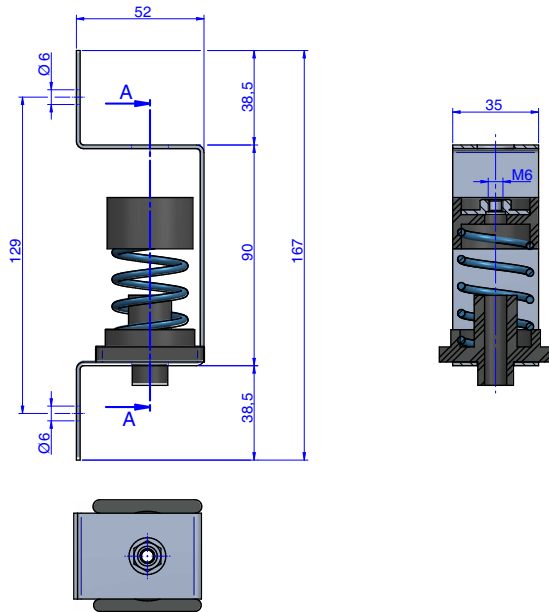
DIMENSIONS

	Type	MAX PERMANENT LOAD	Code
	Springtec Super T-60 Type ST-10	10	23351
	Springtec Super T-60 Type ST-20	20	23352
	Springtec Super T-60 Type ST-30	30	23353
	Springtec Super T-60 Type ST-60	60	23354

Akustik

CEILING MOUNTS SPRINGTEC CEILING HANGER

DRAWINGS



DIMENSIONS

	Type	MAX PERMANENT LOAD	Code
	Springtec Lateral ST-10	10	23406
	Springtec Lateral ST-20	20	23407
	Springtec Lateral ST-30	30	23408
	Springtec Lateral ST-60	60	23409

Akustik

CEILING MOUNTS SPRINGTEC CEILING HANGER

ELASTICAL PROPERTIES

